



FOR MORE INFO
+243 97 53 99 200
+243 89 71 71 066

7987, Av. Panda Golf Lido
Lubumbashi, DRC



COMPANY DETAILS AND COMPLIANCE

AFRITECH SARL has offices and warehousing in Johannesburg, Kitwe, Lubumbashi and storage (bonded and transit) facilities at Focus freight's warehouse for stock and transit storage, with an individual item handling capacity up to **10** tones.

APRIL
COPYRIGHT
2024

Our services

- Thank House
- Cleaning & Maintenance
- Project Commissioning
- Logistics
- After Sale



INTRODUCTION



ABOUT US

MISSION STATEMENT

AFRITECH SARL strives to deliver quality products and services to its customers. We aspire to carry a reputation of reliability for developing and delivering products of good quality and timeous delivery, into the marketplace. In pursuit of our goals, we resolve to treat stakeholders, customers and the community with integrity and professionalism.

Afritech.
sarl

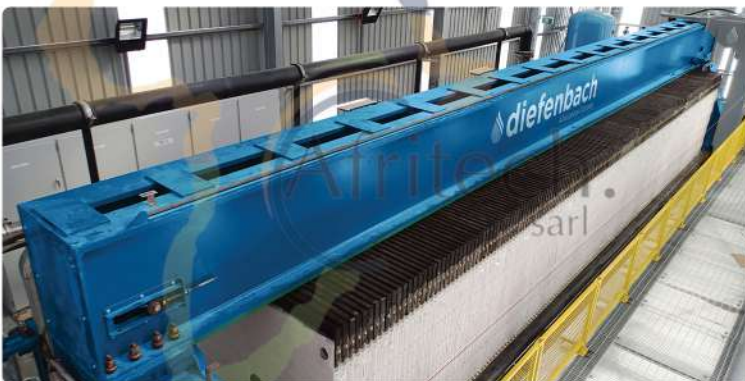
HISTORY

AFRITECH SARL is a 100% locally owned Congolese company, and proud member of the high level group of companies. AFRITECH SARL was duly constituted in 2012 with the objective to supply critical equipment to the mines, local government, municipalities, and private industrial sectors. Years of experience, intellectual capital and a proven track record differentiate AFRITECH SARL and ensure the utmost piece of mind to the customer and end users. AFRITECH SARL has not only succeeded in establishing itself in the distribution of these products and services, but has also excelled in establishing, and maintaining productive relationships with its customers.

AGENCIES AND DISTRIBUTION AGREEMENTS

AFRITECH SARL has succeeded in securing agencies and/or relationships with several key players in the market place. These include:

1. FILTRATION PRODUCTS



Filter Presses

Afritech filter presses have been designed to withstand over many years. The quality of production and the right choice of filter presses for each type of process determines their life span.

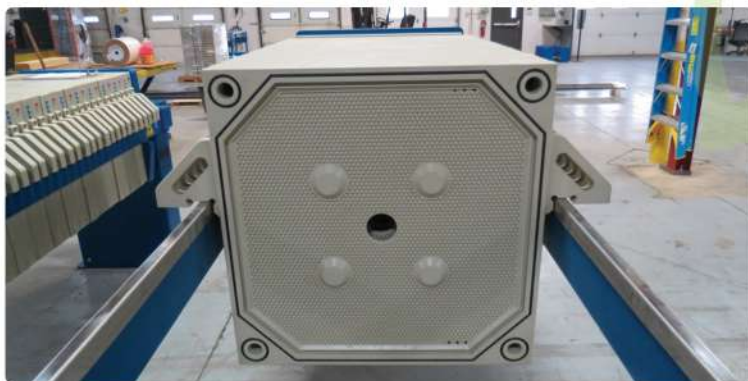
Compared to the competition can boast the largest number of years of work of filter presses.

Definitely the maximum resistance provides the filter press with the HIGH BEAM (model DE), able to withstand the maximum thrust loads of the single large cylinder that produces exclusively Afritech only according to its quality parameters.

SOME OF OUR PRODUCTS

FILTER PLATE

The filter plate is one of the main parts of the filter press, and is the key device in the water treatment technology, and plays a dual role of loading filter layer filter and backwash water distribution. According to the different material, the filter plate can be divided into polypropylene filter plate, cast iron filter plate and stainless steel filter plate. According to the different functions, it can be divided into chamber filter plate, Plate frame filter plate, Membrane filter plate, circular high pressure filter plate, cotton cake filter plate etc.



Chemical industry: dye, pigment, caustic soda.
Medicine: antibiotics, growth derivative, organophosphorus, glycosylase
Food: yellow wine, white wine, juice, beverage, beer...
Metallurgy: gold mine, silver mine, copper mine...
Oil refining: white oil, sesame oil, light oil...
Clay: ripe old soil, bentonite, active soil...
Sewage treatment: chemical wastewater, smelting wastewater, electroplating sewage, leather sewage...

SOME OF OUR PRODUCTS

MOTORS & DRIVERS



300 - Planetary drive for mobile applications

The 300 Planetary gear motor series are compact and powerful. Their planetary drive train makes them the ideal choice for all the severe duty applications where shock loads and impacts are more the rule than the exception.

The product configuration is highly versatile, due to several options as far as the mounting, the gear layout, the output shaft and the motor interface. All the features are available for each of the 20 finely spaced frame sizes, spanning over the 1000 1.100.000 Nm torque range. Finding the perfect match to any drive problem.

PLANETARY GEAR BOX WITH INTEGRATED KIT MOTOR



Output torque
45 kNm
Gear Ratios
45.2 i

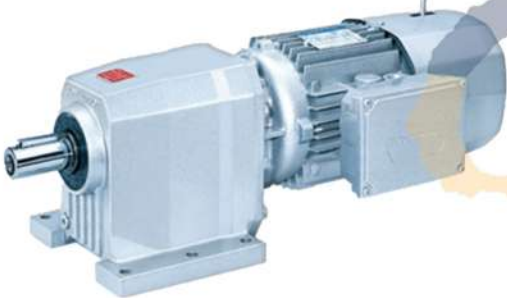
Features

Integrated hydraulic motor
2 - Stage planetary drive
2 - Speed hydraulic motor
Counterbalance travel valve
High pressure relief valves
2 - Speed shift function by external pilot control
Automatically released a parking brake applications where shock loads and impacts are more the rule than the exception. The product configuration is highly versatile, due to several options as far as the mounting, the gear layout, the output shaft and the motor interface. All the features are available for each of the 20 finely spaced frame sizes, spanning over the 1000 1.100.000 Nm torque range. Finding the perfect match to any drive problem

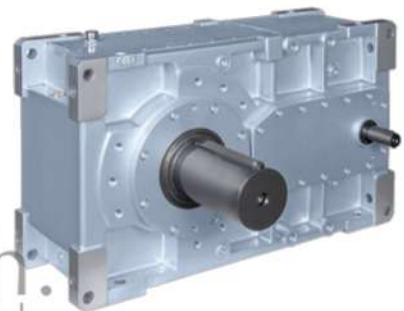
HELICAL GEARMOTORS & GEARBOXES

A comprehensive range of versatile multipurpose industry in-line, shaft-mounted, single and multi-stage, high torque helical gearmotors and gearboxes.

HELICAL GEAR MOTOR



HDP - PARALLEL SHAFT GEARBOX



HELICAL GEAR MOTOR F - SHAFT MOUNTED GEAR MOTOR



SINGLE REDUCTION HELICAL GEAR MOTOR



- 6 -

OUR PRODUCTS

TA SERIES - SHAFT MOUNTED REDUCER



300M - PLANETARY GEAR MOTOR



Compact, and yet extremely powerful, are the units of the 300M Planetary gear motor series. Their planetary drive train makes them the ideal choice for all the severe duty applications where shock loadings and impacts are more the rule than the exception. The product configuration is highly versatile, due to several options as far as the mounting, the gear layout, the output shaft and the motor interface. All the features, including the new IEC motor connection with integrated fan, are available for each of the 20 finely spaced frame sizes, spanning over the 1.250 - 1.286.000 Nm torque range. Finding the perfect match to any drive problem is therefore more than a wish, it is something users can safely rely on - always.

Afritech.
sarl

2024 - 7 - 2024

OUR PRODUCTS

300 - PLANETARY GEAR MOTOR



The powerful solution to all heavy duty applications Compact, and yet extremely powerful, are the units of the 300 Planetary gear motor series. Their planetary drive train makes them the ideal choice for all the severe duty applications where shock loadings and impacts are more the rule than the exception. The product configuration is highly versatile, due to several options as far as the mounting, the gear layout, the output shaft and the motor interface. All the features are available for each of the 20 finely spaced frame sizes, spanning over the 1.250 - 1.286.000 Nm torque range. Finding the perfect match to any drive problem is therefore more than a wish, it is something users can safely rely on - always.

3/H SERIES - COMBINED GEARBOXES



Performance and technology of the planetary gearboxes with the robustness and reliability of bevel helical gearboxes Africa Techn's 3/H gearboxes combine the high technology, performance and efficiency of planetary gearboxes with the robustness, quality and reliability of bevel helical gearboxes. These planetary/bevel helical combination gear boxes deliver the high transmissible torque of Bonfiglioli planetary 300 Series along with the excellent power transmission characteristics of bevel helical HDO Series and are ideal for applications that demand high power density along with medium-low output speeds. The 3/H range consists of 10 standard catalogue sizes that can transmit up to 1200 kNm of torque. Custom combinations are also available.

OUR PRODUCTS

A wide choice of gear ratios and above all the availability of numerous intermediate sizes enable the 3/H range to offer a truly complete answer to the needs of target heavy duty applications. Compared to conventional gearboxes, the flexibility and synergy of 3/H combination gearboxes guarantees significant benefits in terms of:

- Torque range
- Thermal capacity
- Compactness
- Silent running
- Versatility in solutions and access
- Product range
- Numerous combinations cover a wide range of applications and offer:
 - Gear ratios from 1:100 to 1:1000
 - Rated power up to 980 kW
 - Reference torque up to 1200 kNm
- Special solutions
- Special, complete and custom power transmission solutions are available for specific applications involving:
 - Torque arms
 - Base plates
 - Fluid couplings
 - Shoe brakes

VF/W - UNIVERSAL WORM GEAR MOTOR



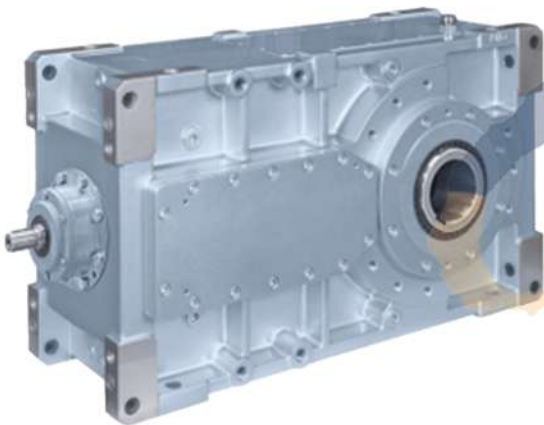
A smart design enhanced by latest materials technology and advanced manufacturing Africa Technologies worm gear motor is a milestone for the industry worldwide. They succeeded in combining uncompromising quality with state-of-the-art technology and renown price effectiveness.

Absolute flexibility is given by the wide choice of several mounting options, shaft configurations and motor interface, all offered as standard. The helical worm and the double -worm version, with or without the torque limiter, also add up, creating a highly versatile drive system.

2024
- 9 -

OUR PRODUCTS

HDO - BEVEL HELICAL GEAR REDUCER



Gear Ratios

5.6 ... 490

Input

Single/Double sided solid input shaft (metric or inch dims)

IEC and Nema motor adapter

Motor adapter with coupling bell and flexible joint

Output

Single/Double sided solid input shaft (metric or inch dims)

Keyed hollow shaft

Shrink disc

Main gearbox options and versions.

Afritech.
sarl

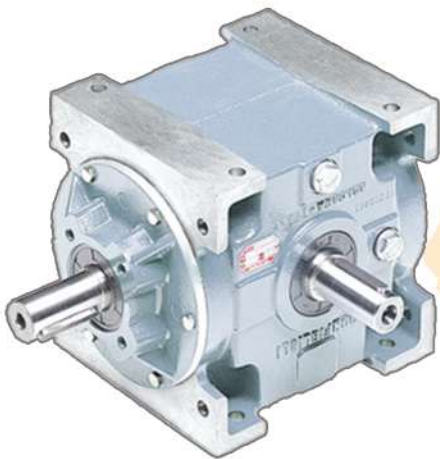
The heavy-duty product that matches performance and versatility with compactness

The bevel helical gear reducer series from Bonfiglioli optimises superior performance with compact dimensions and flexibility. The several options that can be selected from the catalogue facilitate customization to meet specific application requirements. Gear case from nodular cast iron guarantee rigidity in all circumstances while gears, integrally ground finished on their profile, ensure quiet and vibration-free operation even in the harshest conditions.

- 10 -

OUR PRODUCTS

RAN - BEVEL GEARS



Torque Range

3 Nm... 3.000 Nm

Mechanical Rating (n1= 1400 min-1)

0.15 kW ... 91 kW

Gear ratios

1,0 ... 7,4

Shaft Arrangement

Single or Double Shaft Projection

Input

Solid Input Shaft



The handy drive when it comes to angled transmissions

The units of the RAN - Bevel gears series are designed to fit the purpose of transmission laid out in right angle setting. Easy to fit and almost maintenance-free, RAN units offer multiple shaft arrangements and a choice of several exact gear ratios, beside the 1:1, that come handy when designing synchronized drive system. Also available in the version for screw jack duty.

2024
- 11 -

PUMPS

DIAPHRAGM PUMP



SLURRY PUMP



CENTRIFUGAL PUMP



SINGLE STAGE END SUCTION CENTRIFUGAL PUMP



CENTRIFUGAL PUMP



HORIZONTAL END SUCTION CENTRIFUGAL PUMP



VALVES AND ACCESSORIES

BALL VALVES



UNI-FLO NYLON



**UNI-FLO HI PERFORMANCE
DOUBLE ECCENTRIC VALVE**



**UNI-FLO WATER
BUTTERFLY VALVES PN16**



**UNI-FLO U SECTION FLANGED
WATER BUTTERFLY VALVES**



STRAPPING TOOLS

POLY STRAPPING TENSIONER



ITA21 ELECTRIC STRAPPING TOOL



ITA11 PNEUMATIC STRAPPING TOOL



MIP-1300 STRAPPING TENSIONER



ITA44

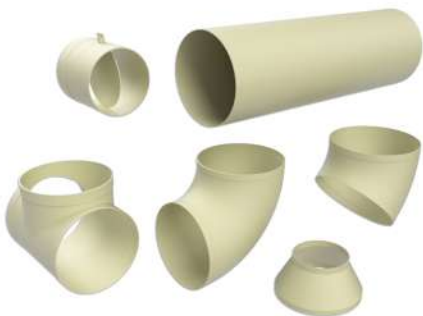


HEAVY DUTY TENSIONER



CHEMICAL RESISTANT LABORATORY EQUIPMENT

LABORATORY DUCTING SYSTEMS



LAB-VAC



ACI-CAB B



INTE-FLOW



ENVIRO

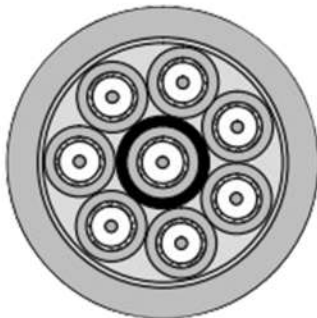


VCPA - FAN



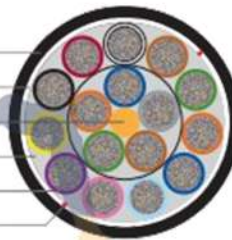
CABLE SOLUTIONS

COAXIAL SDH-SWITCH BOARD CABLES



3456F MASS LINK™

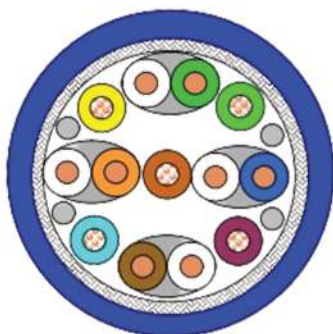
- PE Outer Jacket
- Water-Blocking Tape
- Central Strength Member
- Dry Water-Blocked Tube
- Flex Ribbons
- Ripcord



40MM 900 'T' CLOSURE



INTE-FLOW



M05: UCFUTURE DRY TUBE DATA CENTRE CABLE



114: UCFIBRE™ UNIVERSAL STRANDED LOOSE TUBE ARMoured CABLE



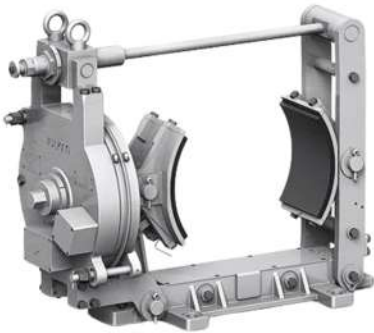
- 16 -

ELECTROWINNING FRAMES



BRAKE SYSTEMS

**ELECTROMAGNETIC
DRUM BRAKE**



PNEUMATIC DISC BRAKE



HYDRAULIC DISC BRAKE



**ELECTROHYDRAULIC
DISC BRAKE**



**ELECTROHYDRAULIC
DRUM BRAKE**



**ELECTROMAGNETIC
DISC BRAKE**



PUMPS

**2 NSH - HYGIENIC
TWO SCREW PUMP**



2 NS - TWO SCREW PUMP



3 NS - THREE SCREW PUMP



**4 NS - GEARED
TWIN SCREW PUMP**



PERIPRO PERISTALTIC



**M-OVAS® CUTTING
PLATE MACERATOR**





YOUR TRUSTED MINING PARTNER IN THE DRC

FOR MORE INFO
+243 97 53 99 200
+243 89 71 71 066

7987, Av. Panda Golf Lido
Lubumbashi, DRC

JUNE
COPYRIGHT
2024

✉ info@africagr.com
www:// www.africagr.com